



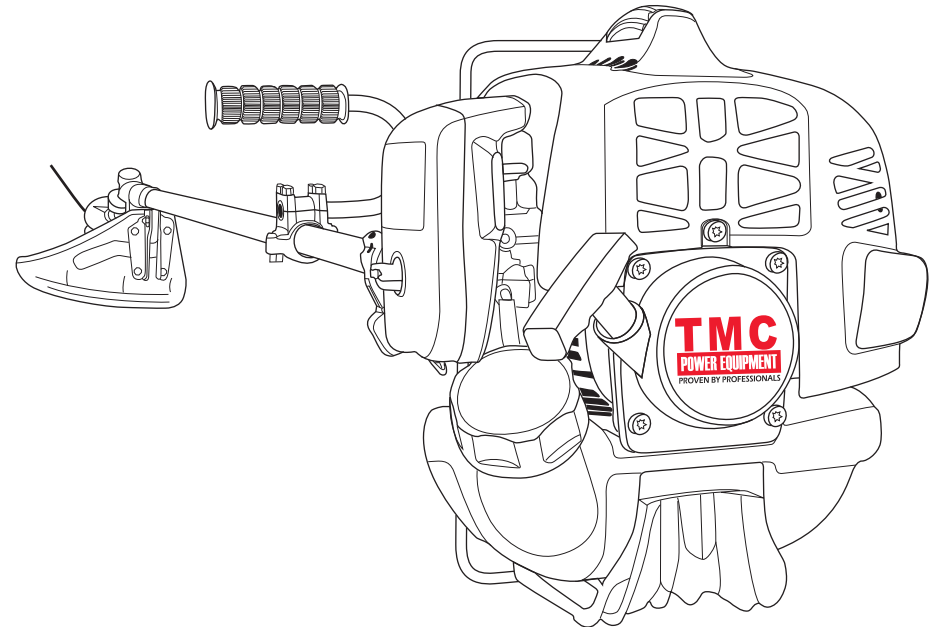
2051 Saturn Street  
Monterey Park, CA 91755  
323.728.7266  
323.728.5304 Fax  
<http://www.tmcpower.com>

# PARTS CATALOG

## KPW2950V LINE TRIMMER/WEEDER

### ENGINE REFERENCE:

GZ30N8  
2005 EPA/CARB



REV 090312

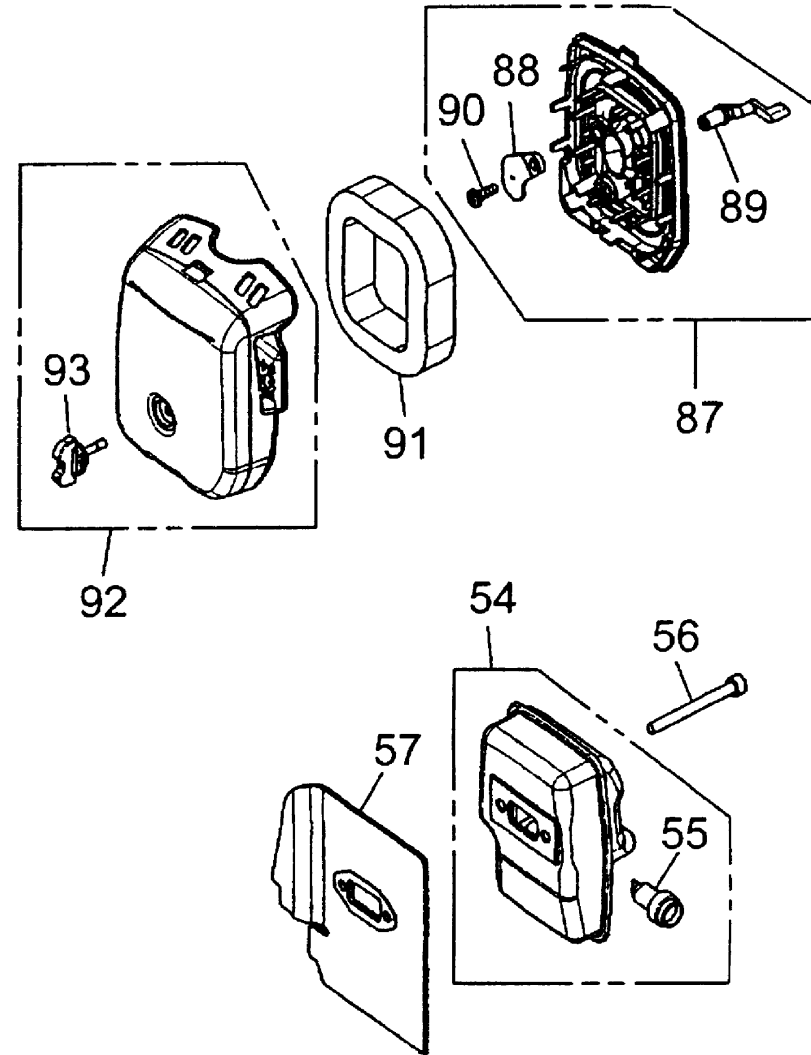


# KPW2950V

GZ30N8

## AIR FILTER/MUFFLER

REF NO	PART NO	DESCRIPTION	QTY	NOTES
054	GZ30054	MUFFLER ASSY	1	
055	GZ30055	ARRESTER-SPARK	1	
056	GZ30056	BOLT-TORX	2	
057	GZ30057	GASKET-MUFFLER	1	
087	GZ30087	CASE ASSY-AIR CLEANER	1	
088	GZ30088	PLATE-CHOKE	1	
089	GZ30089	LEVER-CHOKE	1	
090	GZ30090	SCREW	1	
091	GZ30091	ELEMENT	1	
092	GZ30092	CAP ASSY-AIR CLEANER	1	
093	GZ30093	KNOB-AIR CLEANER CAP	1	

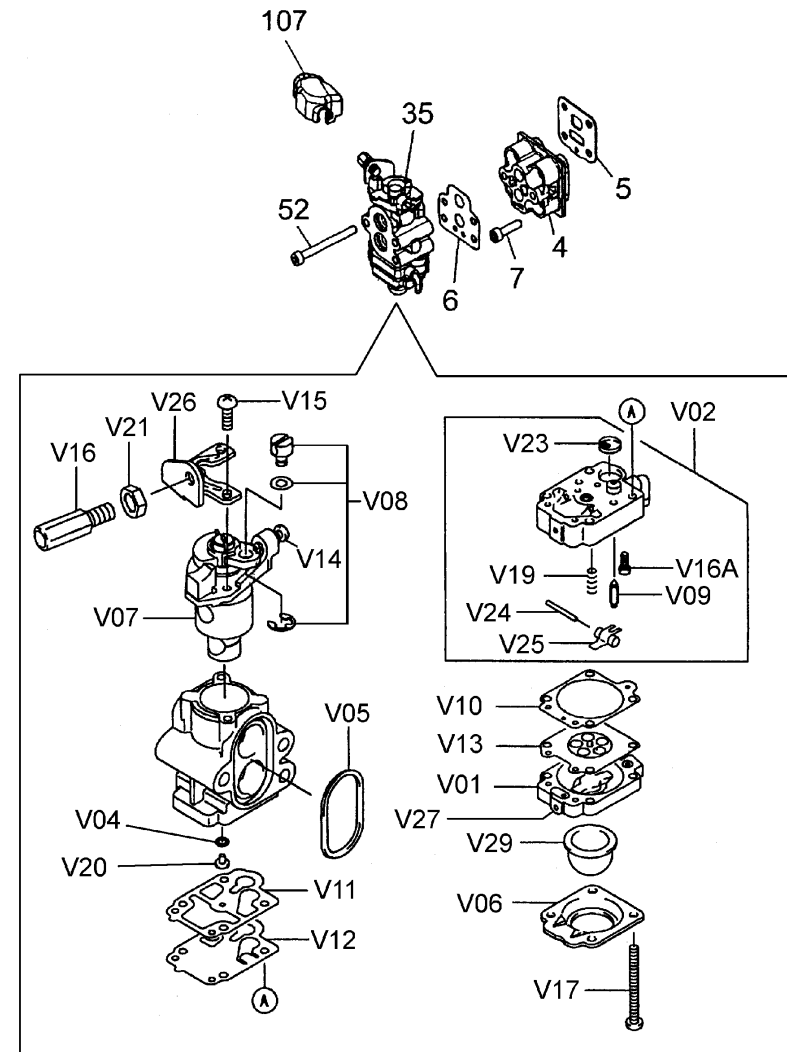


# KPW2950V

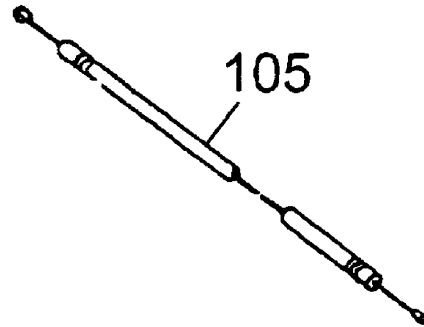
GZ30N8

## CARBURETOR

REF NO	PART NO	DESCRIPTION	QTY	NOTES
004	GZ30004	INSULATOR	1	
005	GZ30005	GASKET-INSULATOR	1	
006	GZ30006	GASKET-CARBURETOR	1	
007	GZ30007	BOLT-TORX	4	
035	GZ30C00-V	CARBURETOR ASSY	1	
052	GZ30052	BOLT-TORX	2	
107	THCVR	DUST COVER	1	
V01	TF22C01	BODY ASSY-AIR PURGE	1	
V02	TH26C02Z	BODY ASSY-PUMP	1	
V04	TEX54DC04XA	O-RING	1	
V05	TH26C05Z	O-RING	1	
V06	TF22C05	COVER-PRIMER PUMP	1	
V07	GZ30C07V	VALVE ASSY-THROTTLE	1	
V08	TF22C07	SWIVEL ASSY	1	
V09	TF22C08	VALVE-INLET NEEDLE	1	
V10	TF22C10	GASKET-METERING DIAPHRAGM	1	
V11	TEX54C11XA	GASKET-PUMP	1	
V12	TF22C13	DIAPHRAGM-PUMP	1	
V13	TH26C13Z	DIAPHRAGM ASSY-METERING	1	
V14	TF22C17	SCREW-IDLE ADJUST	1	
V15	TF22C19	SCREW-COLLAR THROTTLE	1	
V16	TH34C16Z	ADJUSTER-CABLE	1	
V16A	TF22C20	SCREW-METERING LEVER PIN	1	
V17	TF22C18	SCREW-COVER	4	
V19	TF22C21	SPRING-METERING LEVER	1	
V20	GZ30C20V	JET-MAIN KIT	1	
V21	TEX54C21XA	NUT-CABLE ADJUST	1	
V23	TF22C23	SCREEN-FUEL INLET	1	
V24	TF22C24	PIN-METERING LEVER	1	
V25	TF22C26	LEVER-METERING	1	
V26	TF22C27	BRACKET-CABLE	1	
V27	TF22C28	VALVE-CHECK	1	
V29	TF22C29	PRIMER-BULB	1	



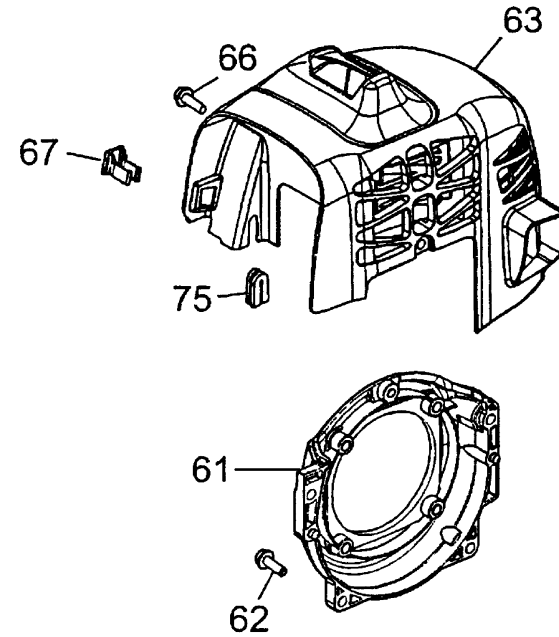
# KPW2950V



## CONTROL EQUIPMENT

REF NO	PART NO	DESCRIPTION	QTY	NOTES
105	GZ30105	CABLE-COMP	1	

GZ30N8



## COOLING EQUIPMENT

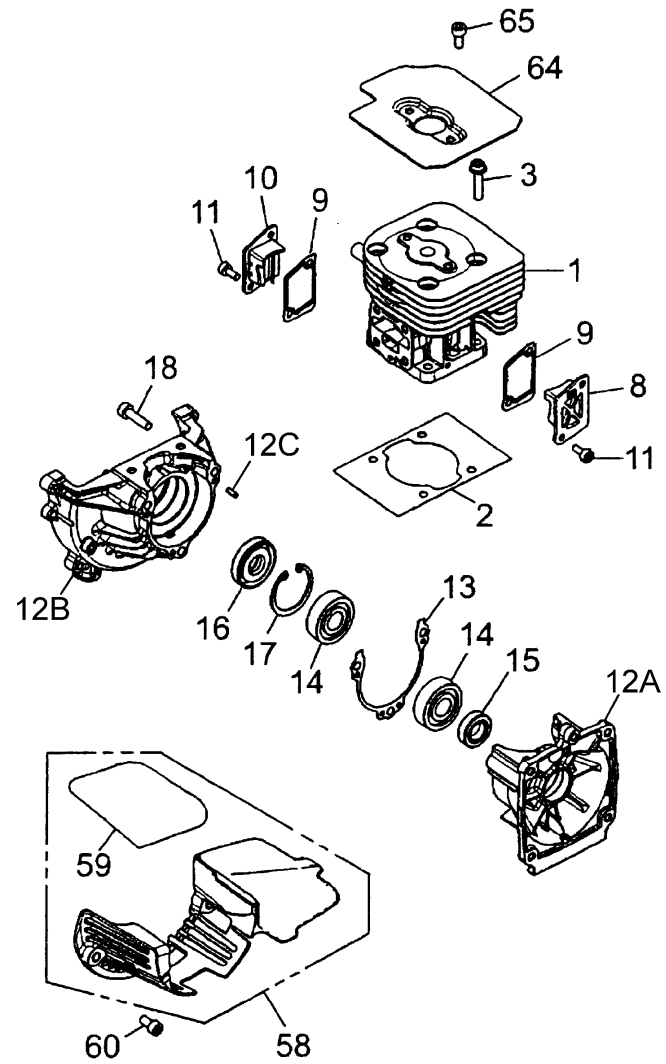
REF NO	PART NO	DESCRIPTION	QTY	NOTES
061	GZ30061	COVER-FAN	1	
062	GZ30062	BOLT-TORX	4	
063	GZ30063	COVER-ENGINE	1	
066	GZ30066	BOLT-TORX	2	
067	GZ30067	CLAMP	1	
075	GZ30075	GROMMET	1	

# KPW2950V

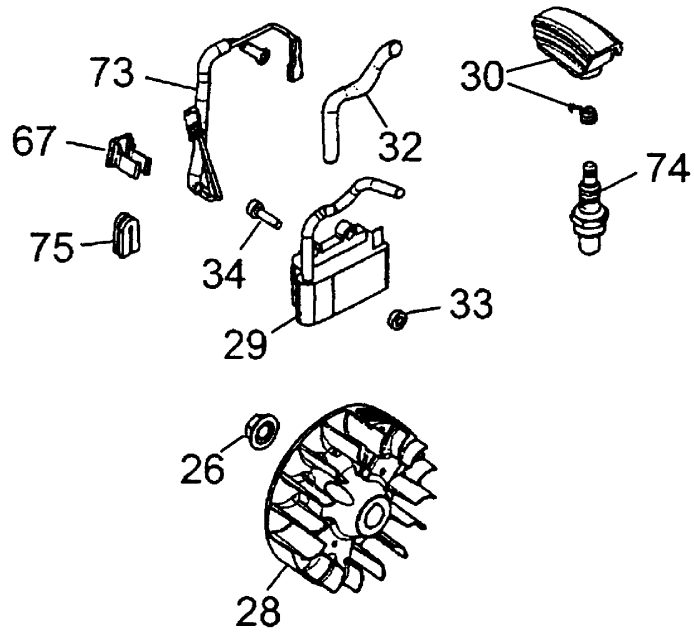
GZ30N8

## CYLINDER/CRANKCASE

REF NO	PART NO	DESCRIPTION	QTY	NOTES
001	GZ30001	CYLINDER	1	
002	GZ30002	GASKET-CYLINDER	1	
003	GZ30003	BOLT-TORX	4	
008	GZ30008	COVER (S)	1	
009	GZ30009	GASKET-TRANSFER	2	
010	GZ30010	COVER (F)	1	
011	GZ30011	BOLT-TORX	4	
012A	GZ30012A	CRANKCASE (RECOIL SIDE)	1	
012B	GZ30012B	CRANKCASE (PTO SIDE)	1	
012C	GZ30012C	PIN-DOWEL	1	
013	GZ30013	GASKET-CRANKCASE	1	
014	GZ30014	BEARING	2	
015	GZ30015	SEAL-OIL	1	
016	GZ30016	SEAL-OIL	1	
017	GZ30017	SNAP RING	2	
018	GZ30018	BOLT-TORX	3	
058	GZ30058	PLATE ASSY	1	
059	GZ30059	SHEET	1	
060	GZ30060	BOLT-TORX	1	
064	GZ30064	PLATE-CYLINDER	1	
065	GZ30065	BOLT-TORX	2	



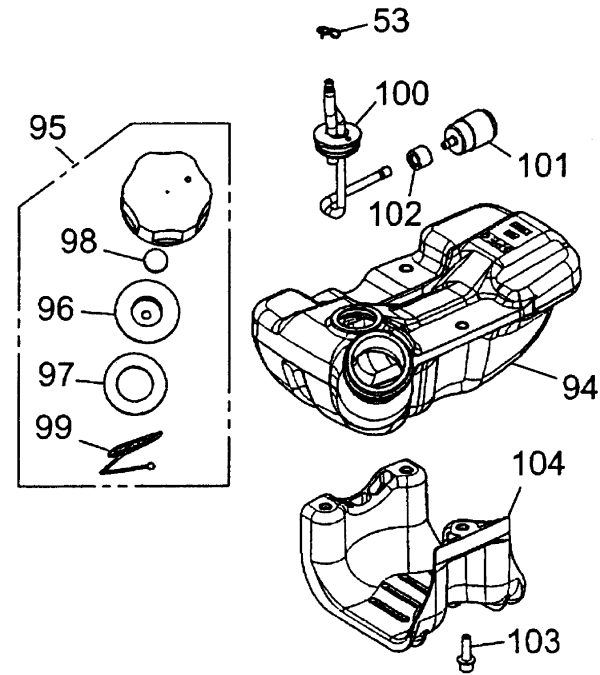
# KPW2950V



## ELECTRICAL EQUIPMENT

REF NO	PART NO	DESCRIPTION	QTY	NOTES
026	GZ30026	NUT	1	
028	GZ30028	FLYWHEEL	1	
029	GZ30029	COIL-IGNITION	1	
030	GZ30030	CAP ASSY-SPARK PLUG	1	
032	GZ30032	TUBE	1	
033	GZ30033	SPACER	2	
034	GZ30034	BOLT-TORX	2	
067	GZ30067	CLAMP	1	
073	GZ30073	CORD-C	1	
074	RZ7C	CHAMPION SPARK PLUG	1	
075	GZ30075	GROMMET	1	

# GZ30N8

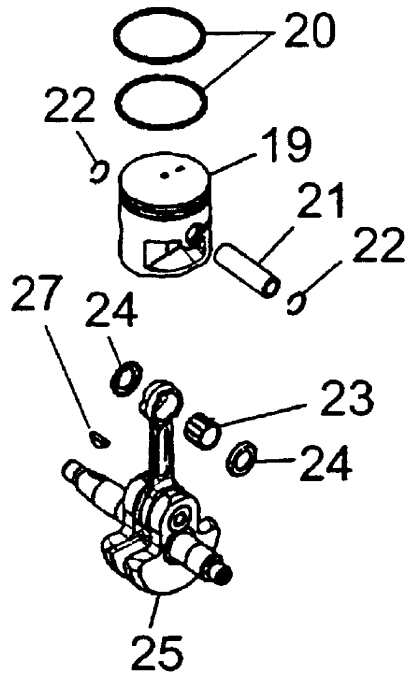


## FUEL TANK/FUEL VALVE

REF NO	PART NO	DESCRIPTION	QTY	NOTES
053	GZ30053	CLIP	1	
094	GZ30094	FUEL TANK	1	
095	GZ30095	CAP ASSY-FUEL	1	
096	GZ30096	HOLDER ASSY	1	
097	GZ30097	PACKING	1	
098	GZ30098	FILTER	1	
099	GZ30099	STOPPER	1	
100	GZ30100	PIPE	1	
101	GZ30101	FILTER ASSY-FUEL	1	
102	GZ30102	COLLAR	1	
103	GZ30103	BOLT-TORX	3	
104	GZ30104	GUARD-TANK	1	

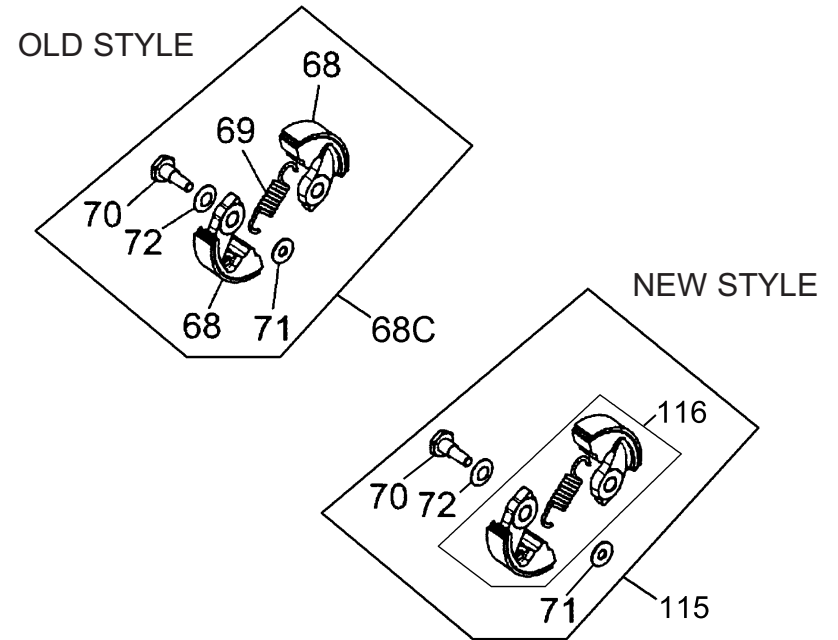
# KPW2950V

GZ30N8



## PISTON/CRANKSHAFT

REF NO	PART NO	DESCRIPTION	QTY	NOTES
019	GZ30019	PISTON	1	
020	GZ30020	PISTON RING SET	1	
021	GZ30021	PIN-PISTON	1	
022	GZ30022	SNAP RING	2	
023	GZ30023	BEARING	1	
024	GZ30024	WASHER	2	
025	GZ30025	CRANKSHAFT COMP	1	
027	GZ30027	KEY	1	



## PTO EQUIPMENT

REF NO	PART NO	DESCRIPTION	QTY	NOTES
068	GZ30068	SHOE-CLUTCH	2	
068C	GZ30068C	CLUTCH ASSY	1	
069	GZ30069	SPRING-CLUTCH	1	
070	GZ30070	SCREW-CLUTCH	2	
071	GZ30071	WASHER	2	
072	GZ30072	WASHER-WAVE	2	
115	GZ30115	CLUTCH ASSY (NEW)	1	
116	GZ30116	CLUTCH SHOE & SPRING ASSY (NEW)	1	

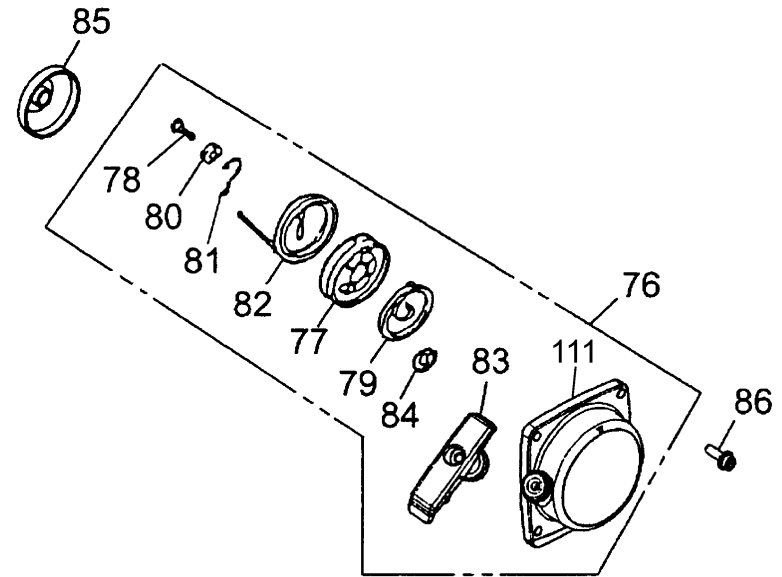


# KPW2950V

GZ30N8

## STARTER

REF NO	PART NO	DESCRIPTION	QTY	NOTES
076	GZ30076	RECOIL ASSY	1	
077	GZ30077	REEL-RECOIL	1	
078	GZ30078	SCREW	1	
079	GZ30079	SPRING	1	
080	GZ30080	COLLAR	1	
081	GZ30081	ARM	1	
082	GZ30082	ROPE	1	
083	GZ30083	HANDLE-RECOIL STARTER	1	
084	GZ30084	PLATE	1	
085	GZ30085	PULLEY	1	
086	GZ30086	BOLT-TORX	4	
111	GZ30111	CASE-RECOIL	1	



**KPW2950V**

GZ30N8

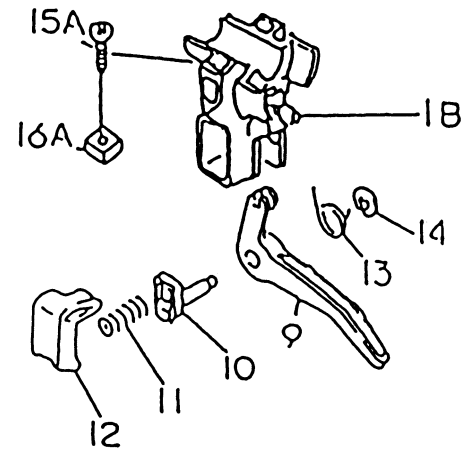
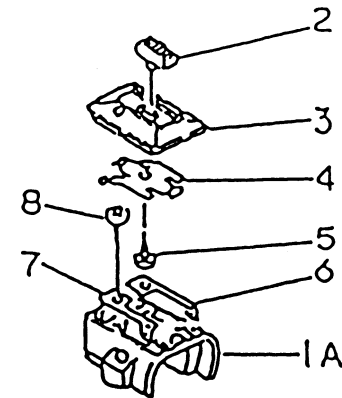
THIS PAGE INTENTIONALLY LEFT BLANK

# KPW2950V

GZ30N8

## THROTTLE LEVER

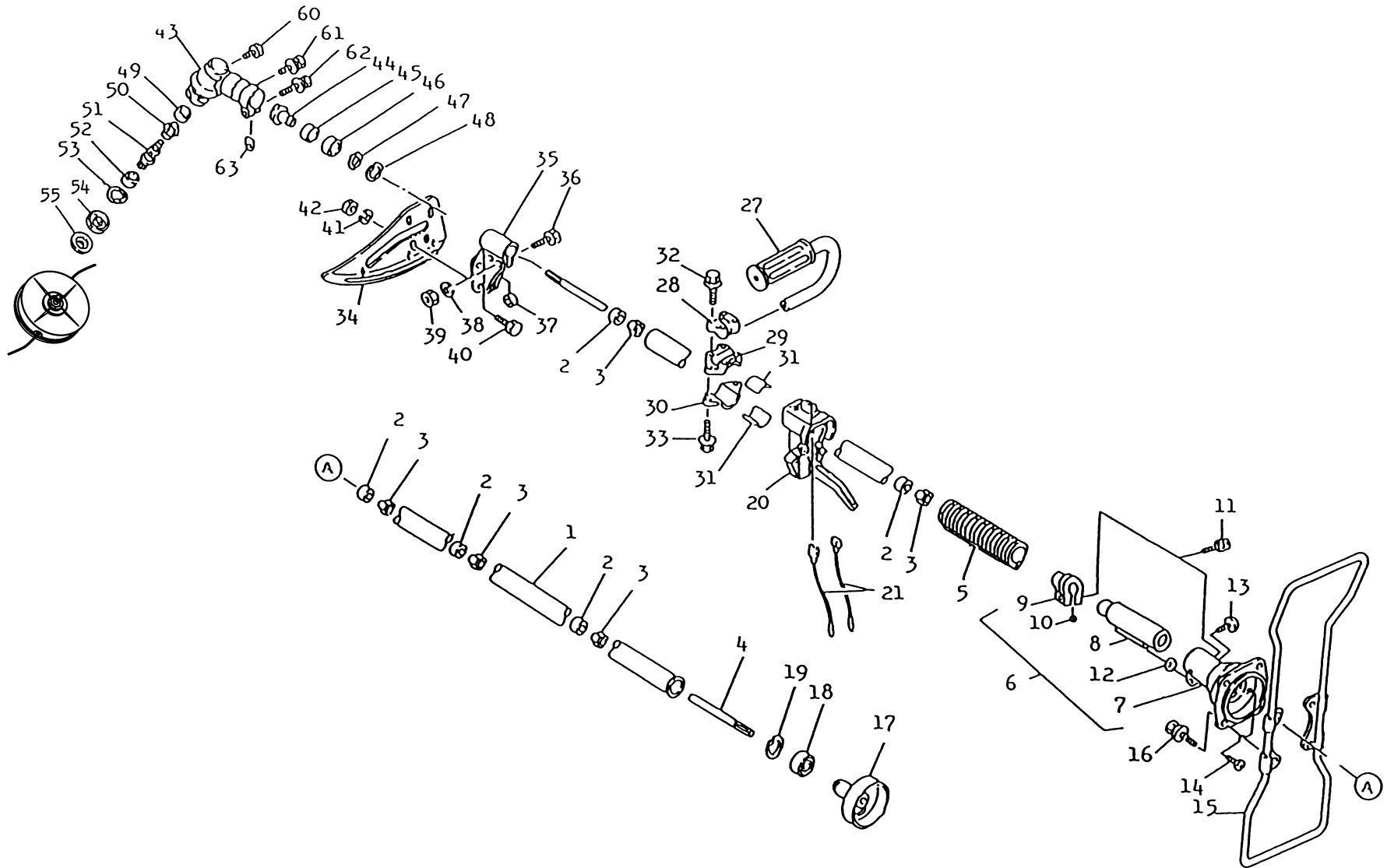
REF NO	PART NO	DESCRIPTION	QTY	NOTES
	PW24015A	THROTTLE LEVER ASSY	1	
01A	PW24015-01A	BODY-UPPER	1	
01B	PW24015-01B	BODY-LOWER	1	
02	PW24015-02	SWITCH	1	
03	PW24015-03	COVER	1	
04	PW24015-04	SPRING	1	
05	PW24015-05	SCREW 3X8	1	
06	PW24015-06	PLATE-GROUND R	1	
07	PW24015-07	PLATE-GROUND L	1	
08	PW24015-05	SCREW 3X8	2	
09	PW24015-09	LEVER	1	
10	PW24015-10	SHAFT	1	
11	PW24015-11	SPRING	1	
12	PW24015-12	STOPPER	1	
13	PW24015-13	SPRING-RETURN	1	
14	PW24015-14	E-RING	1	
15A	214B0520	SCREW 5X20	2	
16A	311B0500	NUT 5MM	2	



# KPW2950V

GZ30N8

BODY



# KPW2950V

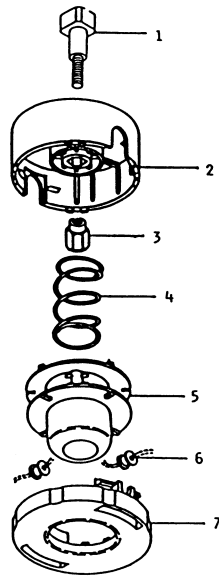
## BODY

REF NO	PART NO	DESCRIPTION	QTY	NOTES
01	PW25001A	HOUSING-DRIVE W/CUSHION	1	
02	PW24002	METAL-DRIVE	5	
03	PW24003	CUSHION-DRIVE	5	
04	PW25004	SHAFT-DRIVE	1	
05	PW24005A	GRIP-DRIVE HOUSING	1	
06	PW25006	CLUTCH CASE ASSY	1	
07	PW25007	CASE-CLUTCH	1	
08	PW25008	INNER CASE W/CUSHION	1	
09	PW25009	HOLDER-CASE CLUTCH	1	
10	PW25010	COLLAR-SMALL	1	
11	B05X30W	BOLT W/WASHERS 5X30	1	
12	PW25012	COLLAR-LARGE	1	
13	PW25013	SCREW-BINDING 5X10	1	
14	223B0510	SCREW 5X10	1	
15	PW24008	STAND	1	
16	B06X20W	BOLT W/WASHERS 6X20	4	
17	PW25017L	DRUM-CLUTCH	1	
18	PW24011	BEARING (6201-2RU)	1	
19	PW25019	RING-SNAP #12	1	
20	PW24015A	THROTTLE LEVER ASSY	1	
21	PW24016	WIRE-LEAD	2	
27	PW23022	U HANDLE W/GRIP	1	
28	PW23023	STAY A	1	
29	PW23024	STAY B	1	
30	PW23025	STAY C	1	
31	PW24025	SPACER	1	
32	B05X25W	BOLT W/WASHERS 5X25	4	
33	187B0625	BOLT 6X25	2	

# GZ30N8

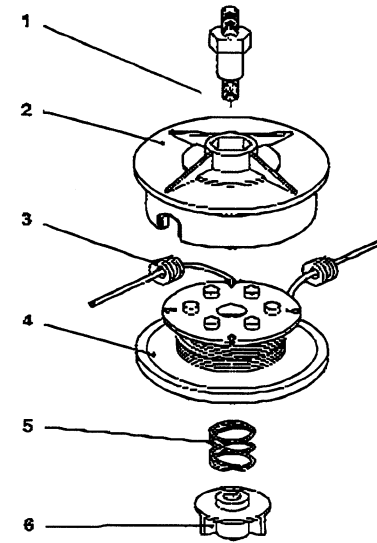
## BODY

REF NO	PART NO	DESCRIPTION	QTY	NOTES
34	PW23062-02	COVER-GUARD	1	
34-42	PW23062	SAFETY GUARD ASSY	1	
35	PW23062-01	HOLDER-GUARD	1	
36	B06X25	BOLT 6X25	2	
37	PW23062-04	COLLAR-GUARD	2	
38	SW006	WASHER-SPRING 6MM	2	
39	HN006	NUT 6MM	2	
40	B06X12	BOLT 6X12	4	
41	SW006	WASHER-SPRING 6MM	4	
42	HN006	NUT 6MM	4	
43	PW25043	CASE-GEAR	1	
43-53	PW25042	GEAR CASE ASSY	1	
44	PW24039	PINION	1	
45	PW24040	BEARING (6900)	1	
46	PW25046	BEARING (6900Z)	1	
47	PW24043	RING-SNAP #10	1	
48	PW25048	RING-SNAP #22	1	
49	PW24044	BEARING (608)	1	
50	PW24045	GEAR	1	
51	PW25051	SHAFT	1	
52	PW25052	BEARING (6001DU)	1	
53	P35008	RING-SNAP #28	1	
54	PW25054	FIXER-BLADE UPPER	1	
55	PW25055	FIXER-BLADE LOWER	1	
60	PW25060	BOLT 8X8	1	
61	S05X10W	SCREW W/WASHER 5X10	1	
62	187B0630	BOLT 6X30	1	
63	PW25063	WASHER	1	



### CUTTING HEAD (AUTOMATIC)

REF NO	PART NO	DESCRIPTION	QTY	NOTES
	LCT010A	HEAD ASSY-TAP		
01	LCT001B	SHAFTBOLT-LH 8MM	1	
02	LCT010A-02	HOUSING-OUTER	1	
03	LCT010A-08	NUT	1	
04	LCT010-05	SPRING	1	
05	LCT010A-04	INTER-BUMP	1	
06	LCT003	EYELET	2	
07	LCT010A-03	BASE	1	



### CUTTING HEAD (MANUAL)

REF NO	PART NO	DESCRIPTION	QTY	NOTES
	F102B	MANUAL HEAD-ARNETOLI BLACK	1	
01	C-102003	SHAFT BOLT 8MM X 1.25 FLH	1	
02	C-101002	UPPER BODY	1	
03	C-105005	EYELET	2	
04	C-101004	LOWER BODY	1	
05	C-107001	SPRING	1	
06	I-201007	KNOB	1	